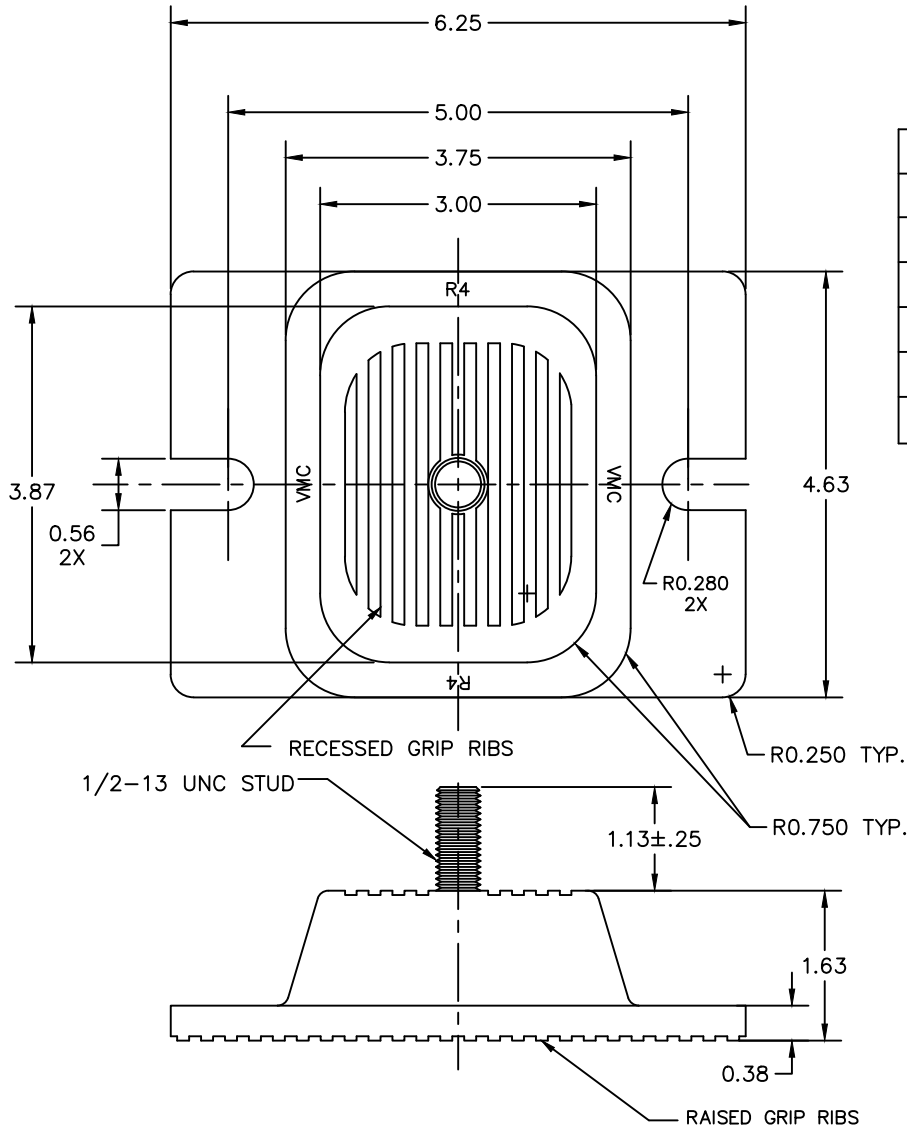


REV.	DESCRIPTION	DATE	BY



PART NUMBER	MODEL	RATED AXIAL LOAD-LBS	CONFIG.	DEFLECTION AT RATED LOAD-INCHES
114A-100417-07	RP4-BLUE-WR-B	800	B	0.25
114A-100417-08	RP4-BROWN-WR-B	1500	B	0.25
114A-100417-09	RP4-RED-WR-B	2250	B	0.25
114A-100417-10	RP4-GREEN-WR-B	3000	B	0.25
114A-100417-11	RP4-GRAY-WR-B	4000	B	0.25
114A-100417-12	RP4-PURPLE-WR-B	5500	B	0.25

- NOTES:
1. DIMENSIONS FOR CUSTOMER REFERENCE.
 2. TABLE IS AVERAGE DESIGN DATA FOR REFERENCE.
 3. MOLDED STEEL AND ELASTOMER MOUNT FOR NON-FAIL SAFE, OUTDOOR SERVICE CONDITIONS.
 4. CONSULT VMC FOR APPLICABILITY.
 5. CONTACT VMC FOR APPLICABLE RATED LOAD AND DEFLECTION.

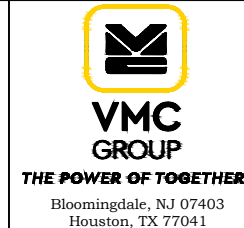
OTHER MATERIALS, COMPOUNDS, OR FINISHES WITH EQUAL OR SUPERIOR PROPERTIES MAY BE SUBSTITUTED AS THEY BECOME AVAILABLE.



CERTIFIED FOR:

JOB NAME: _____
 CUSTOMER : _____
 CUSTOMER P.O.: _____
 SALES ORDER: _____

**MODEL RP4 800-5500 LBS.
 DURULENE ELASTOMERIC
 ISOLATOR WITH
 POSITIONING PIN
 0.25 INCH DEFLECTION**



SCALE:	NONE	
SHEET:	1 OF 1	
DRAWING NO.:		REVISION